

# Yuanan远安

更精 更好 远安造

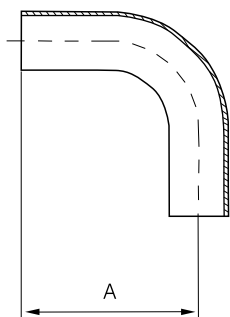
## 生物制药不锈钢管件

BIOPHARMACEUTICAL STAINLESS STEEL PIPE FITTINGS

永远真实的, 远安.....

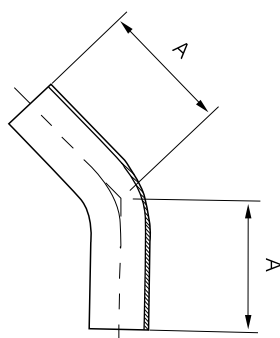


## 90度长弯头 90° TUBE BEND



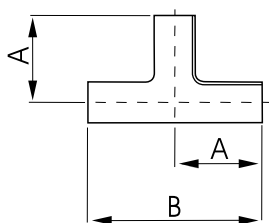
NO.	SIZE	A	T
7706102 00050	1/2"	76.20	1.65
7706102 00075	3/4"	76.20	1.65
7706102 00100	1"	76.20	1.65
7706102 00150	1 1/2"	95.25	1.65
7706102 00200	2"	120.65	1.65
7706102 00250	2 1/2"	139.70	1.65
7706102 00300	3"	158.75	1.65
7706102 00400	4"	203.20	2.11
7706102 00600	6"	292.10	2.77

## 45度长弯头 45° TUBE BEND



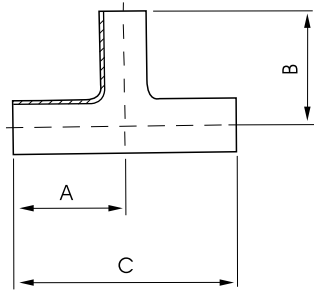
NO.	SIZE	A	T
7706103 00050	1/2"	57.15	1.65
7706103 00075	3/4"	57.15	1.65
7706103 00100	1"	57.15	1.65
7706103 00150	1 1/2"	63.50	1.65
7706103 00200	2"	76.20	1.65
7706103 00250	2 1/2"	85.85	1.65
7706103 00300	3"	92.10	1.65
7706103 00400	4"	114.30	2.11
7706103 00600	6"	158.75	2.77

## 长三通 OUTLET TEE

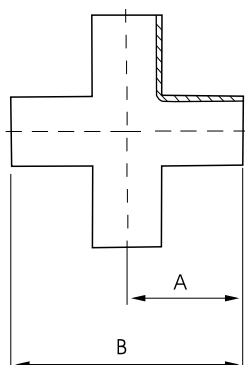


NO.	SIZE	A	B
7703102 00050	1/2"	47.63	95.25
7703102 00075	3/4"	50.80	101.60
7703102 00100	1"	53.98	107.95
7703102 00150	1 1/2"	60.33	120.65
7703102 00200	2"	73.03	146.05
7703102 00250	2 1/2"	79.38	158.75
7703102 00300	3"	85.73	171.45
7703102 00400	4"	104.78	209.55
7703102 00600	6"	142.90	285.80

## 异径三通 REDUCING TEE



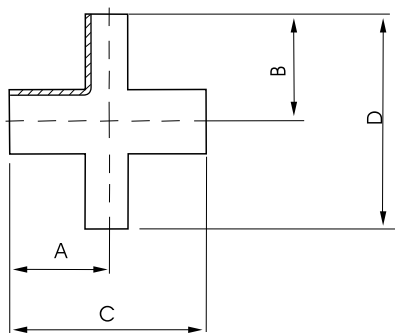
NO.	SIZE	A	B	C
7703102 07550	3/4"×1/2"	50.80	50.80	101.60
7703102 01050	1"×1/2"	53.98	53.98	107.95
7703102 01075	1"×3/4"	53.98	53.98	107.95
7703102 01550	1 1/2"×1/2"	60.33	60.33	120.65
7703102 01575	1 1/2"×3/4"	60.33	60.33	120.65
7703102 01510	1 1/2"×1"	60.33	60.33	120.65
7703102 02050	2"×1/2"	73.03	66.68	146.05
7703102 02075	2"×3/4"	73.03	66.68	146.05
7703102 02010	2"×1"	73.03	66.68	146.05
7703102 02015	2"×1 1/2"	73.03	66.68	146.05
7703102 02550	2 1/2"×1/2"	79.38	73.03	158.75
7703102 02575	2 1/2"×3/4"	79.38	73.03	158.75
7703102 02510	2 1/2"×1"	79.38	73.03	158.75
7703102 02515	2 1/2"×1 1/2"	79.38	73.03	158.75
7703102 02520	2 1/2"×2"	79.38	73.03	158.75
7703102 03050	3"×1/2"	85.73	79.38	171.45
7703102 03075	3"×3/4"	85.73	79.38	171.45
7703102 03010	3"×1"	85.73	79.38	171.45
7703102 03015	3"×1 1/2"	85.73	79.38	171.45
7703102 03020	3"×2"	85.73	79.38	171.45
7703102 03025	3"×2 1/2"	85.73	79.38	171.45
7703102 04050	4"×1/2"	104.78	92.08	209.55
7703102 04075	4"×3/4"	104.78	92.08	209.55
7703102 04010	4"×1"	104.78	92.08	209.55
7703102 04015	4"×1 1/2"	104.78	92.08	209.55
7703102 04020	4"×2"	104.78	98.43	209.55
7703102 04025	4"×2 1/2"	104.78	98.43	209.55
7703102 04030	4"×3"	104.78	98.43	209.55
7703102 06030	6"×3"	142.88	123.85	285.75
7703102 06040	6"×4"	142.88	130.18	285.75



## 四通 CROSS

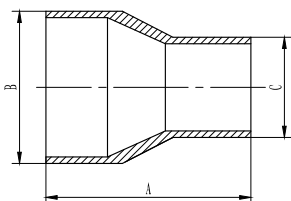
NO.	SIZE	A	B
7704102 00050	1/2"	47.60	95.20
7704102 00075	3/4"	50.80	101.60
7704102 00100	1"	54.00	108.00
7704102 00150	1 1/2"	60.30	120.60
7704102 00200	2"	73.00	146.00
7704102 00250	2 1/2"	79.40	158.80
7704102 00300	3"	85.70	171.40
7704102 00400	4"	104.80	209.60

## 异径四通 REDUCING CROSS



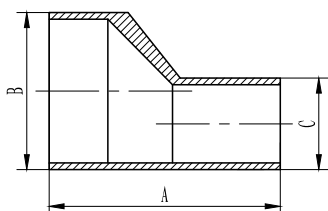
NO.	SIZE	A	B	C	D
7704102 07550	3/4"×1/2"	50.80	50.80	101.60	101.60
7704102 01050	1"×1/2"	54.00	54.00	108.00	108.00
7704102 01075	1"×3/4"	54.00	54.00	108.00	108.00
7704102 01550	1 1/2"×1/2"	60.30	60.30	120.60	120.60
7704102 01575	1 1/2"×3/4"	60.30	60.30	120.60	120.60
7704102 01510	1 1/2"×1"	60.30	60.30	120.60	120.60
7704102 02050	2"×1/2"	73.00	66.70	146.00	133.40
7704102 02075	2"×3/4"	73.00	66.70	146.00	133.40
7704102 02010	2"×1"	73.00	66.70	146.00	133.40
7704102 02015	2"×1 1/2"	73.00	66.70	146.00	133.40
7704102 02550	2 1/2"×1/2"	79.40	73.00	158.80	146.00
7704102 02575	2 1/2"×3/4"	79.40	73.00	158.80	146.00
7704102 02510	2 1/2"×1"	79.40	73.00	158.80	146.00
7704102 02515	2 1/2"×1 1/2"	79.40	73.00	158.80	146.00
7704102 02520	2 1/2"×2"	79.40	73.00	158.80	146.00
7704102 03050	3"×1/2"	85.70	79.40	171.40	158.80
7704102 03075	3"×3/4"	85.70	79.40	171.40	158.80
7704102 03010	3"×1"	85.70	79.40	171.40	158.80
7704102 03015	3"×1 1/2"	85.70	79.40	171.40	158.80
7704102 03020	3"×2"	85.70	79.40	171.40	158.80
7704102 03025	3"×2 1/2"	85.70	79.40	171.40	158.80
7704102 04050	4"×1/2"	104.80	92.10	209.60	184.20
7704102 04075	4"×3/4"	104.80	92.10	209.60	184.20
7704102 04010	4"×1"	104.80	92.10	209.60	184.20
7704102 04015	4"×1 1/2"	104.80	92.10	209.60	184.20
7704102 04020	4"×2"	104.80	98.40	209.60	196.80
7704102 04025	4"×2 1/2"	104.80	98.40	209.60	196.80
7704102 04030	4"×3"	104.80	98.40	209.60	196.80
7704102 06030	6"×3"	142.90	123.83	285.80	247.65
7704102 06040	6"×4"	142.90	130.20	285.80	260.40

## 同心大小头



	规格	A	B	C	
7707003 07505	3/4"×1/2"	19.05×12.7	53.98	19.05	12.7
7707003 01005	1"×1/2"	25.4×12.7	63.50	25.4	12.7
7707003 01075	1"×3/4"	25.4×19.05	53.98	25.4	19.05
7707003 01575	1-1/2×3/4"	38.1×19.05	76.20	38.1	19.05
7707003 01510	1-1/2×1"	38.1×25.4	63.50	38.1	25.4
7707003 02010	2"×1"	50.8×25.4	85.73	50.8	25.4
7707003 02015	2"×1-1/2"	50.8×38.1	63.50	50.8	38.1
7707003 02515	2-1/2×1-1/2"	63.5×38.1	85.73	63.5	38.1
7707003 02520	2-1/2"×2"	63.5×50.8	63.50	63.5	50.8
7707003 03015	3"×1-1/2"	76.2×38.1	107.95	76.2	38.1
7707003 03020	3"×2"	76.2×50.8	85.73	76.2	50.8
7707003 03025	3"×2-1/2"	76.2×63.5	66.68	76.2	63.5
7707003 04020	4"×2"	101.6×50.8	130.18	101.6	50.8
7707003 04025	4"×2-1/2"	101.6×63.5	107.95	101.6	63.5
7707003 04030	4"×3"	101.6×76.2	98.43	101.6	76.2
7707003 06030	6"×3"	152.4×76.2	184.15	152.4	76.2
7707003 06040	6"×4"	152.4×101.6	142.88	152.4	101.6

## 偏心大小头

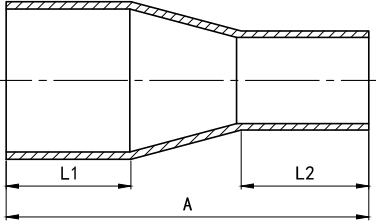


	规格	A	B	C	
7707103 07505	3/4"×1/2"	19.05×12.7	53.98	19.05	12.7
7707103 01005	1"×1/2"	25.4×12.7	63.50	25.4	12.7
7707103 01075	1"×3/4"	25.4×19.05	53.98	25.4	19.05
7707103 01575	1-1/2×3/4"	38.1×19.05	76.20	38.1	19.05
7707103 01510	1-1/2×1"	38.1×25.4	63.50	38.1	25.4
7707103 02010	2"×1"	50.8×25.4	85.73	50.8	25.4
7707103 02015	2"×1-1/2"	50.8×38.1	63.50	50.8	38.1
7707103 02515	2-1/2×1-1/2"	63.5×38.1	85.73	63.5	38.1
7707103 02520	2-1/2"×2"	63.5×50.8	63.50	63.5	50.8
7707103 03015	3"×1-1/2"	76.2×38.1	107.95	76.2	38.1
7707103 03020	3"×2"	76.2×50.8	85.73	76.2	50.8
7707103 03025	3"×2-1/2"	76.2×63.5	66.68	76.2	63.5
7707103 04020	4"×2"	101.6×50.8	130.18	101.6	50.8
7707103 04025	4"×2-1/2"	101.6×63.5	107.95	101.6	63.5
7707103 04030	4"×3"	101.6×76.2	98.43	101.6	76.2
7707103 06030	6"×3"	152.4×76.2	184.15	152.4	76.2
7707103 06040	6"×4"	152.4×101.6	142.88	152.4	101.6

# 加长同心大小头 (易于自动焊接)

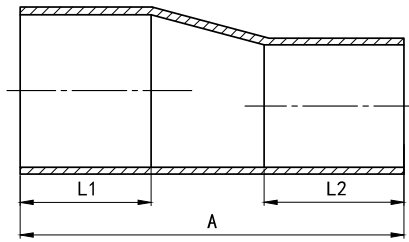
## CONCENTRIC REDUCER

(for automatic welding)



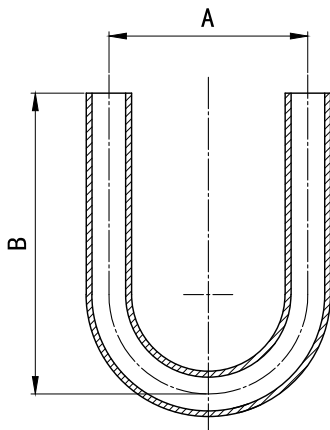
NO.	SIZE	A	L1	L2
7707004 07538	3/4"×3/8"	82.6	38.1	38.1
7707004 07550	3/4"×1/2"	101.6	38.1	38.1
7707004 01025	1"×1/4"	114.3	50.8	38.1
7707004 01038	1"×3/8"	114.3	50.8	38.1
7707004 01050	1"×1/2"	114.3	50.8	41.28
7707004 01075	1"×3/4"	101.6	50.8	38.1
7707004 01550	1 1/2"×1/2"	139.7	50.8	41.28
7707004 01575	1 1/2"×3/4"	127	50.8	38.1
7707004 01510	1 1/2"×1"	127	50.8	50.8
7707004 02050	2"×1/2"	196.9	50.8	41.28
7707004 02075	2"×3/4"	184.2	50.8	38.1
7707004 02010	2"×1"	184.2	50.8	50.8
7707004 02015	2"×1 1/2"	133.4	50.8	50.8
7707004 02550	2 1/2"×1/2"	247.7	50.8	41.28
7707004 02575	2 1/2"×3/4"	235	50.8	38.1
7707004 02510	2 1/2"×1"	235	50.8	50.8
7707004 02515	2 1/2"×1 1/2"	184.2	50.8	50.8
7707004 02520	2 1/2"×2"	139.7	50.8	50.8
7707004 03010	3"×1"	285.8	50.8	50.8
7707004 03015	3"×1 1/2"	235	50.8	50.8
7707004 03020	3"×2"	190.5	50.8	50.8
7707004 03025	3"×2 1/2"	139.7	50.8	50.8
7707004 04010	4"×1"	393.7	57.15	50.8
7707004 04015	4"×1 1/2"	342.9	57.15	50.8
7707004 04020	4"×2"	298.5	57.15	50.8
7707004 04025	4"×2 1/2"	247.7	57.15	50.8
7707004 04030	4"×3"	196.9	57.15	50.8
7707004 06030	6"×3"	254	63.5	50.8
7707004 06040	6"×4"	254	63.5	57.15

## 加长偏心大小头 (自动焊接口) ECCENTRIC REDUCER (for automatic welding)



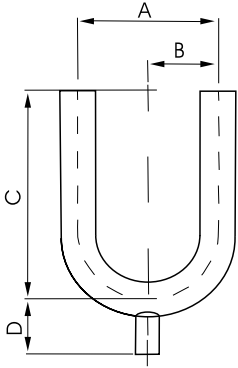
NO.	SIZE	A	L1	L2
7707104 07525	3/4"×3/8"	82.6	38.1	38.1
7707104 07550	3/4"×1/2"	101.6	38.1	38.1
7707104 01025	1"×1/4"	114.3	50.8	38.1
7707104 01038	1"×3/8"	114.3	50.8	38.1
7707104 01050	1"×1/2"	114.3	50.8	41.28
7707104 01075	1"×3/4"	101.6	50.8	38.1
7707104 01550	1 1/2"×1/2"	139.7	50.8	41.28
7707104 01575	1 1/2"×3/4"	127	50.8	38.1
7707104 01510	1 1/2"×1"	127	50.8	50.8
7707104 02050	2"×1/2"	196.9	50.8	41.28
7707104 02075	2"×3/4"	184.2	50.8	38.1
7707104 02010	2"×1"	184.2	50.8	50.8
7707104 02015	2"×1 1/2"	133.4	50.8	50.8
7707104 02550	2 1/2"×1/2"	247.7	50.8	41.28
7707104 02575	2 1/2"×3/4"	235	50.8	38.1
7707104 02510	2 1/2"×1"	235	50.8	50.8
7707104 02515	2 1/2"×1 1/2"	184.2	50.8	50.8
7707104 02520	2 1/2"×2"	139.7	50.8	50.8
7707104 03010	3"×1"	285.8	50.8	50.8
7707104 03015	3"×1 1/2"	235	50.8	50.8
7707104 03020	3"×2"	190.5	50.8	50.8
7707104 03025	3"×2 1/2"	139.7	50.8	50.8
7707104 04010	4"×1"	393.7	57.15	50.8
7707104 04015	4"×1 1/2"	342.9	57.15	50.8
7707104 04020	4"×2"	298.5	57.15	50.8
7707104 04025	4"×2 1/2"	247.7	57.15	50.8
7707104 04030	4"×3"	196.9	57.15	50.8
7707104 06030	6"×3"	254	63.5	50.8
7707104 06040	6"×4"	254	63.5	57.15

## 180度U型管 Outlet Tee

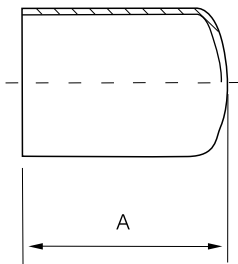


NO.	SIZE	A	B
7704152 00050	1/2"	114.3	76.2
7704152 00075	3/4"	114.3	76.2
7704152 00100	1"	76.2	76.2
7704152 00150	1-1/2"	114.3	114.3
7704152 00200	2"	152.40	127.00
7704152 00250	2-1/2"	190.50	146.05
7704152 00300	3"	228.60	165.10
7704152 00400	4"	304.90	215.90
7704152 00600	6"	457.20	292.10

## 异径U通管 (底端口径减小) REDUCING, BOTTOM-OUTLET USE-POINT (bottom outlet is reducing size)



NO.	SIZE	A	B	C	D
7706113 07550	3/4"×1/2"	114.30	57.15	76.20	42.80
7706113 01050	1"×1/2"	76.20	38.10	76.20	45.80
7706113 01075	1"×3/4"	76.20	38.10	76.20	45.80
7706113 01550	1 1/2"×1/2"	114.30	57.15	114.30	51.70
7706113 01575	1 1/2"×3/4"	114.30	57.15	114.30	51.70
7706113 01510	1 1/2"×1"	114.30	57.15	114.30	51.70
7706113 01515	1 1/2"×1 1/2"	114.30	57.15	114.30	51.70
7706113 02050	2"×1/2"	152.40	76.20	127.00	58.00
7706113 02075	2"×3/4"	152.40	76.20	127.00	58.00
7706113 02010	2"×1"	152.40	76.20	127.00	58.00
7706113 02015	2"×1 1/2"	152.40	76.20	127.00	58.00
7706113 02550	2 1/2"×1/2"	190.50	95.25	146.05	64.95
7706113 02575	2 1/2"×3/4"	190.50	95.25	146.05	64.95
7706113 02510	2 1/2"×1"	190.50	95.25	146.05	64.95
7706113 02515	2 1/2"×1 1/2"	190.50	95.25	146.05	64.95
7706113 02520	2 1/2"×2"	190.50	95.25	146.05	64.95
7706113 03050	3"×1/2"	228.60	114.30	165.10	70.90
7706113 03075	3"×3/4"	228.60	114.30	165.10	70.90
7706113 03010	3"×1"	228.60	114.30	165.10	70.90
7706113 03015	3"×1 1/2"	228.60	114.30	165.10	70.90
7706113 03020	3"×2"	228.60	114.30	165.10	70.90
7706113 03025	3"×2 1/2"	228.60	114.30	165.10	70.90
7706113 04050	4"×1/2"	304.80	152.40	215.90	84.10
7706113 04075	4"×3/4"	304.80	152.40	215.90	84.10
7706113 04010	4"×1"	304.80	152.40	215.90	84.10
7706113 04015	4"×1 1/2"	304.80	152.40	215.90	84.10
7706113 04020	4"×2"	304.80	152.40	215.90	84.10
7706113 04025	4"×2 1/2"	304.80	152.40	215.90	84.10
7706113 04030	4"×3"	304.80	152.40	215.90	84.10

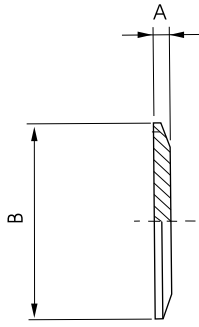


## 帽 CAP

NO.	SIZE	A
7716007 0050	1/2"	44.45
7716007 0075	3/4"	46.04
7716007 0100	1"	47.63
7716007 0150	1 1/2"	52.39
7716007 0200	2"	69.85
7716007 0250	2 1/2"	76.20
7716007 0300	3"	82.55
7716007 0400	4"	101.60
7716007 0600	6"	127.00

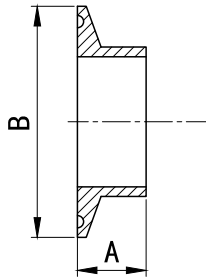


# 快装闷片



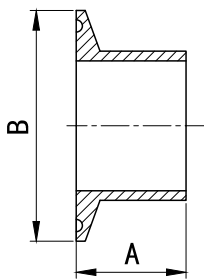
NO.	SIZE	A	B
7716001 0050	1/2"	4.75	25.00
7716001 0075	3/4"	4.75	25.00
7716001 0100	1"	6.35	50.40
7716001 0150	1 1/2"	6.35	50.40
7716001 0200	2"	6.35	63.91
7716001 0250	2 1/2"	6.35	77.40
7716001 0300	3"	6.35	90.90
7716001 0400	4"	7.90	118.92
7716001 0600	6"	11.10	166.68

# 快装接头(短)



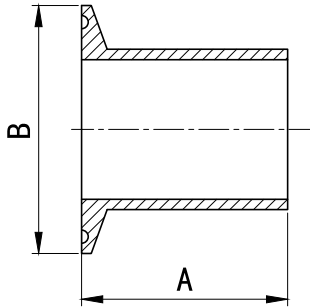
序号	规格	A	B
77140060050	1/2	12.7	25
77140060075	3/4	12.7	25
77140060100	1	12.7	50.39
77140060150	1-1/2	12.7	50.39
77140060200	2	12.7	63.91
77140060250	2-1/2	12.7	77.39
77140060300	3	12.7	90.91
77140060400	4	15.88	118.92
77140060600	6	19.05	166.88

# 快装接头(中)



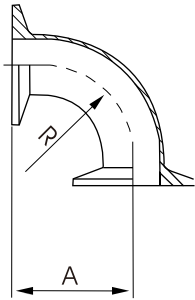
序号	规格	A	B
77140050050	1/2	28.6	25
77140050075	3/4	28.6	25
77140050100	1	28.6	50.39
77140050150	1-1/2	28.6	50.39
77140050200	2	28.6	63.91
77140050250	2-1/2	28.6	77.39
77140050300	3	28.6	90.91
77140060400	4	28.6	118.92
77140050600	6	38.1	166.88

## 快装接头 (长)



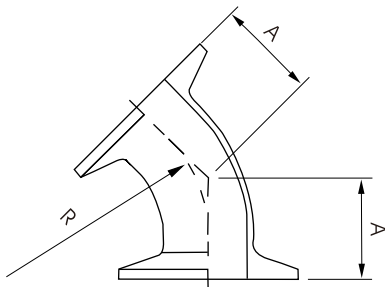
序号	规格	A	B
77140040050	1/2	44.5	25
77140040075	3/4	4.5	25
77140040100	1	44.5	50.39
77140040150	1-1/2	44.5	50.39
77140040200	2	57.2	63.91
77140040250	2-1/2	57.2	77.39
77140040300	3	57.2	90.91
77140040400	4	57.2	118.92
77140040600	6	19.05	166.88

## 90度快装弯头



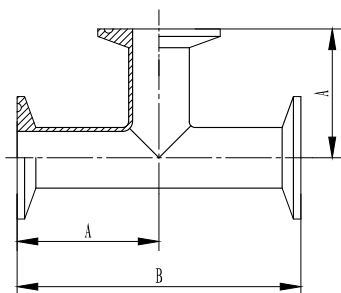
NO	SIZE	A	R
7706200 0050	1/2"	41.28	28.6
7706200 0075	3/4"	41.28	28.6
7706200 0100	1"	50.80	38.1
7706200 0150	1 1/2"	69.85	57.2
7706200 0200	2"	88.90	76.2
7706200 0250	2 1/2"	108.00	95.3
7706200 0300	3"	127.00	114.3
7706200 0400	4"	168.28	152.4
7706200 0600	6"	266.70	228.6

## 45度快装弯头



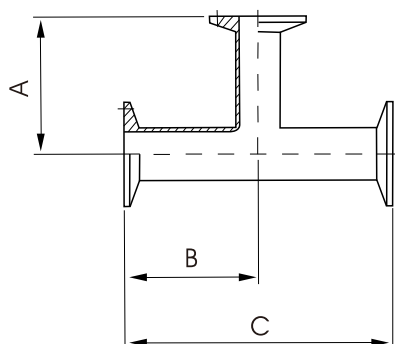
NO	SIZE	A	R
7706201 0050	1/2"	25.4	28.6
7706201 0075	3/4"	25.4	28.6
7706201 0100	1"	28.6	38.1
7706201 0150	1 1/2"	36.6	57.2
7706201 0200	2"	44.5	76.2
7706201 0250	2 1/2"	52.4	95.3
7706201 0300	3"	60.3	114.3
7706201 0400	4"	79.4	152.4
7706201 0600	6"	133.4	228.6

## 快装长三通



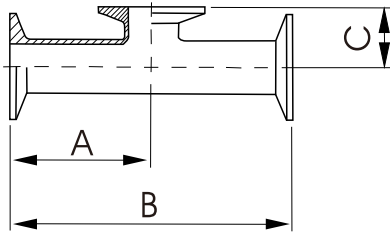
序号	规格	A	B
7704302 0050	1/2"	60.3	120.6
7704302 0075	3/4"	63.5	127.0
7704302 0100	1"	66.7	133.4
7704302 0150	1-1/2"	73.0	146.0
7704302 0200	2"	85.7	171.5
7704302 0250	2-1/2"	92.1	184.2
7704302 0300	3"	98.4	196.9
7704302 0400	4"	120.7	241.3
7704302 0600	6"	181.0	362.0

## 异径快装三通 异径三通 (分支口口径减小) REDUCING TEE (reducing size on branch)



NO.	SIZE	A	B	C
7703302 07550	3/4"×1/2"	63.50	63.50	127.00
7703302 01050	1"×1/2"	66.68	66.68	133.35
7703302 01075	1"×3/4"	66.68	66.68	133.35
7703302 01550	1 1/2"×1/2"	73.03	73.08	146.16
7703302 01575	1 1/2"×3/4"	73.03	73.08	146.16
7703302 01510	1 1/2"×1"	73.03	73.08	146.16
7703302 02050	2"×1/2"	79.38	85.73	171.45
7703302 02075	2"×3/4"	79.38	85.73	171.45
7703302 02010	2"×1"	79.38	85.73	171.45
7703302 02015	2"×1 1/2"	79.38	85.73	171.45
7703302 02510	2 1/2"×1"	85.73	92.08	184.15
7703302 02515	2 1/2"×1 1/2"	85.73	92.08	184.15
7703302 02520	2 1/2"×2"	85.73	92.08	184.15
7703302 03010	3"×1"	92.08	98.43	196.85
7703302 03015	3"×1 1/2"	92.08	98.43	196.85
7703302 03020	3"×2"	98.43	98.43	196.85
7703302 03025	3"×2 1/2"	98.43	98.43	196.85
7703302 04010	4"×1"	104.78	120.65	241.30
7703302 04015	4"×1 1/2"	104.78	120.65	241.30
7703302 04020	4"×2"	111.13	120.65	241.30
7703302 04025	4"×2 1/2"	111.13	120.65	241.30
7703302 04030	4"×3"	111.13	120.65	241.30
7703302 06030	6"×3"	136.53	181.00	362.00
7703302 06040	6"×4"	146.05	181.00	362.00

## 短出口快装三通 SHORT OUTLET TEE

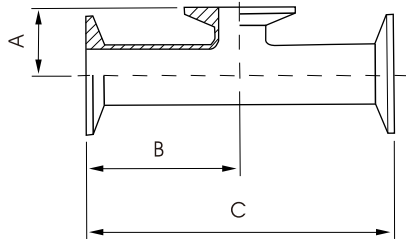


NO	SIZE	A	B	C
7703200 0050	1/2"	57.2	114.3	25.4
7703200 0075	3/4"	60.3	120.6	28.6
7703200 0100	1"	66.7	133.4	28.6
7703200 0150	1 1/2"	73.0	146.0	34.9
7703200 0200	2"	85.7	171.5	41.3
7703200 0250	2 1/2"	92.1	184.2	47.6
7703200 0300	3"	98.4	196.9	54.0
7703200 0400	4"	120.7	241.3	69.9
7703200 0600	6"	181.0	362.0	117.5

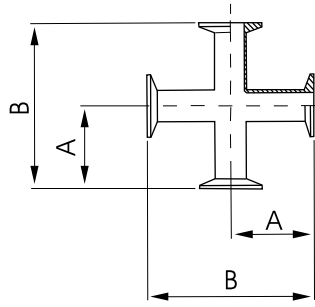
## 短出口异径快装三通

(分支口口径减小)

### SHORT OUTLET REDUCING TEE (reducing size on branch)

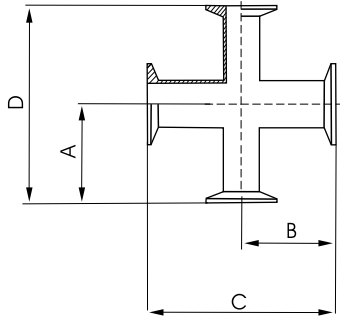


NO.	SIZE	A	B	C
703200 07550	3/4"×1/2"	25.40	63.50	127.00
703200 01050	1"×1/2"	28.58	66.68	133.35
703200 01075	1"×3/4"	28.58	66.68	133.35
703200 01550	1 1/2"×1/2"	34.93	73.03	146.05
703200 01575	1 1/2"×3/4"	34.93	73.03	146.05
703200 01510	1 1/2"×1"	34.93	73.03	146.05
703200 02050	2"×1/2"	41.28	85.73	171.45
703200 02075	2"×3/4"	41.28	85.73	171.45
703200 02010	2"×1"	41.28	85.73	171.45
703200 02015	2"×1 1/2"	41.28	85.73	171.45
703200 02510	2 1/2"×1"	47.63	92.08	184.15
703200 02515	2 1/2"×1 1/2"	47.63	92.08	184.15
703200 02520	2 1/2"×2"	47.63	92.08	184.15
703200 03010	3"×1"	54.00	98.43	196.85
703200 03015	3"×1 1/2"	54.00	98.43	196.85
703200 03020	3"×2"	54.00	98.43	196.85
703200 03025	3"×2 1/2"	54.00	98.43	196.85
703200 04010	4"×1"	66.68	120.65	241.30
703200 04015	4"×1 1/2"	66.68	120.65	241.30
703200 04020	4"×2"	66.68	120.65	241.30
703200 04025	4"×2 1/2"	66.68	120.65	241.30
703200 04030	4"×3"	66.68	120.65	241.30
703200 06030	6"×3"	92.08	181.00	361.95
703200 06040	6"×4"	95.25	181.00	361.95



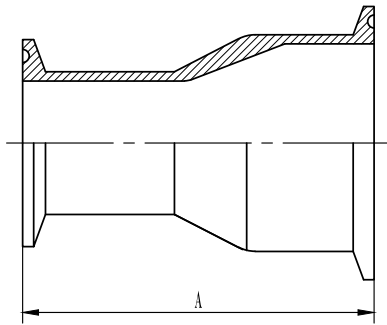
## 快装四通

NO.	SIZE	A	B
7704302 0050	1/2"	57.2	114.3
7704302 0075	3/4"	60.3	120.6
7704302 0100	1"	66.7	133.4
7704302 0150	1 1/2"	73.0	146.0
7704302 0200	2"	85.7	171.4
7704302 0250	2 1/2"	92.1	184.2
7704302 0300	3"	98.4	196.8
7704302 0400	4"	120.6	241.2
7704302 0600	6"	181.0	362.0



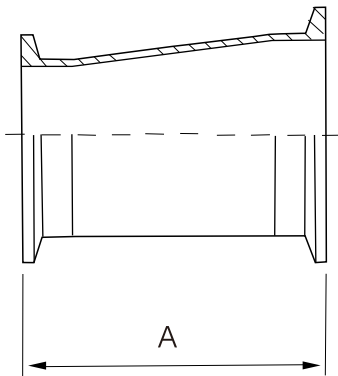
## 快装异径四通

NO.	SIZE	A	B	C	D
7704302 07550	3/4"×1/2"	63.50	63.50	127.00	127.00
7704302 01050	1"×1/2"	66.68	66.68	133.35	133.35
7704302 01075	1"×3/4"	66.68	66.68	133.35	133.35
7704302 01550	1 1/2"×1/2"	73.03	73.03	146.05	146.05
7704302 01575	1 1/2"×3/4"	73.03	73.03	146.05	146.05
7704302 01510	1 1/2"×1"	73.03	73.03	146.05	146.05
7704302 02050	2"×1/2"	79.38	85.73	171.45	158.75
7704302 02075	2"×3/4"	79.38	85.73	171.45	158.75
7704302 02010	2"×1"	79.38	85.73	171.45	158.75
7704302 02015	2"×1 1/2"	79.38	85.73	171.45	158.75
7704302 02510	2 1/2"×1"	85.73	92.08	184.15	171.45
7704302 02515	2 1/2"×1 1/2"	85.73	92.08	184.15	171.45
7704302 02520	2 1/2"×2"	85.73	92.08	184.15	171.45
7704302 03010	3"×1"	92.08	98.43	196.85	184.15
7704302 03015	3"×1 1/2"	92.08	98.43	196.85	184.15
7704302 03020	3"×2"	98.43	98.43	196.85	196.85
7704302 03025	3"×2 1/2"	98.43	98.43	196.85	196.85
7704302 04010	4"×1"	104.78	120.65	241.30	209.55
7704302 04015	4"×1 1/2"	104.78	120.65	241.30	209.55
7704302 04020	4"×2"	111.13	120.65	241.30	222.25
7704302 04025	4"×2 1/2"	111.13	120.65	241.30	222.25
7704302 04030	4"×3"	111.13	120.65	241.30	222.25
7704302 06030	6"×3"	136.53	181.00	361.95	273.05
7704302 06040	6"×4"	146.05	181.00	361.95	292.10



## 快装同心大小头

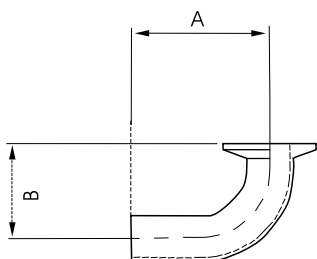
NO.	SIZE	A
7707200 07550	3/4"×1/2"	79.38
7707200 01050	1"×1/2"	88.90
7707200 01075	1"×3/4"	79.38
7707200 01575	1 1/2"×3/4"	101.6
7707200 01510	1 1/2"×1"	88.90
7707200 02010	2"×1"	111.13
7707200 02015	2"×1 1/2"	88.90
7707200 02515	2 1/2"×1 1/2"	111.13
7707200 02520	2 1/2"×2"	88.90
7707200 03015	3"×1 1/2"	133.35
7707200 03020	3"×2"	111.13
7707200 03025	3"×2 1/2"	92.08
7707200 04020	4"×2"	158.75
7707200 04025	4"×2 1/2"	136.53
7707200 04030	4"×3"	127.00
7707200 06030	6"×3"	215.90
7707200 06040	6"×4"	177.80



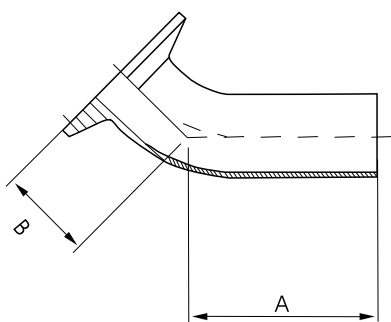
## 快装偏心大小头

NO	SIZE	A
7707300 07550	3/4"×1/2"	79.38
7707300 01050	1"×1/2"	88.90
7707300 01075	1"×3/4"	79.38
7707300 01575	1 1/2"×3/4"	101.6
7707300 01510	1 1/2"×1"	88.90
7707300 02010	2"×1"	111.13
7707300 02015	2"×1 1/2"	88.90
7707300 02515	2 1/2"×1 1/2"	111.13
7707300 02520	2 1/2"×2"	88.90
7707300 03015	3"×1 1/2"	133.35
7707300 03020	3"×2"	111.13
7707300 03025	3"×2 1/2"	92.08
7707300 04020	4"×2"	158.75
7707300 04025	4"×2 1/2"	136.53
7707300 04030	4"×3"	127.00
7707300 06030	6"×3"	215.90
7707300 06040	6"×4"	177.80

## 一边加长90度弯头 (快装/焊接) 90° SWEEP ELBOW (clamp end-weld end)



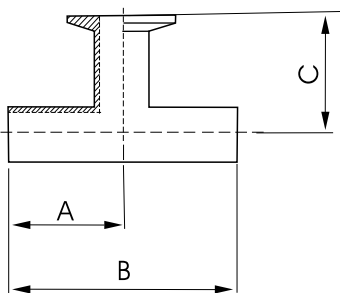
NO.	SIZE	A	B
7706302 0050	1/2"	76.20	41.28
7706302 0075	3/4"	76.20	41.28
7706302 0100	1"	76.20	50.80
7706302 0150	1 1/2"	95.25	69.85
7706302 0200	2"	120.65	88.90
7706302 0250	2 1/2"	139.70	107.95
7706302 0300	3"	158.75	127.00
7706302 0400	4"	203.20	168.28
7706302 0600	6"	292.10	266.70



## 一边加长45度弯头 (快装/焊接) 45° SWEEP ELBOW (clamp end-weld end)

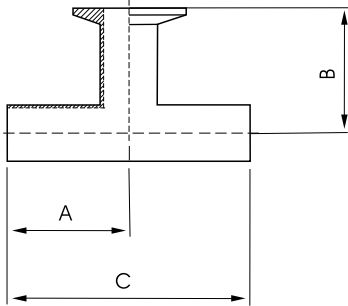
NO.	SIZE	A	B
7706303 00050	1/2"	57.15	25.40
7706303 00075	3/4"	57.15	25.40
7706303 00100	1"	57.15	28.58
7706303 00150	1 1/2"	63.50	36.53
7706303 00200	2"	76.20	44.45
7706303 00250	2 1/2"	85.73	52.40
7706303 00300	3"	92.08	60.33
7706303 00400	4"	114.30	79.38
7706303 00600	6"	158.75	133.35

## 支口端快装三通 CLAMP OUTLET TEE

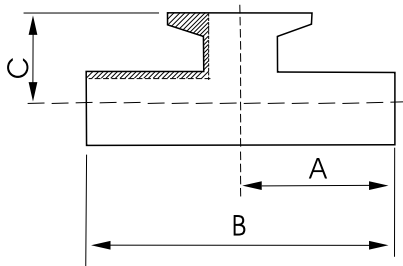


NO.	SIZE	A	B	C
7706304 0050	1/2"	47.63	95.25	60.30
7706304 0075	3/4"	50.80	101.60	63.50
7706304 0100	1"	53.98	107.95	66.68
7706304 0150	1 1/2"	60.33	120.65	73.03
7706304 0200	2"	73.03	146.05	85.73
7706304 0250	2 1/2"	79.38	158.75	92.08
7706304 0300	3"	85.73	171.45	98.43
7706304 0400	4"	104.78	209.55	120.65

## 支口端快装异径三通 CLAMP OUTLET REDUCING TEE



NO.	SIZE	A	B	C
7703304 07550	3/4"×1/2"	50.80	63.50	101.60
7703304 01050	1"×1/2"	53.98	66.68	107.95
7703304 01075	1"×3/4"	53.98	66.68	107.95
7703304 01550	1 1/2"×1/2"	60.33	73.03	120.65
7703304 01575	1 1/2"×3/4"	60.33	73.03	120.65
7703304 01510	1 1/2"×1"	60.33	73.03	120.65
7703304 02050	2"×1/2"	73.03	79.38	146.05
7703304 02075	2"×3/4"	73.03	79.38	146.05
7703304 02010	2"×1"	73.03	79.38	146.05
7703304 02015	2"×1 1/2"	73.03	79.38	146.05
7703304 02550	2 1/2"×1/2"	79.38	85.73	158.75
7703304 02575	2 1/2"×3/4"	79.38	85.73	158.75
7703304 02510	2 1/2"×1"	79.38	85.73	158.75
7703304 02515	2 1/2"×1 1/2"	79.38	85.73	158.75
7703304 02520	2 1/2"×2"	79.38	85.73	158.75
7703304 03050	3"×1/2"	85.73	92.08	171.45
7703304 03075	3"×3/4"	85.73	92.08	171.45
7703304 03010	3"×1"	85.73	92.08	171.45
7703304 03015	3"×1 1/2"	85.73	92.08	171.45
7703304 03020	3"×2"	85.73	98.43	171.45
7703304 03025	3"×2 1/2"	85.73	98.43	171.45
7703304 04050	4"×1/2"	104.78	104.78	209.55
7703304 04075	4"×3/4"	104.78	104.78	209.55
7703304 04010	4"×1"	104.78	104.78	209.55
7703304 04015	4"×1 1/2"	104.78	104.78	209.55
7703304 04020	4"×2"	104.78	111.13	209.55
7703304 04025	4"×2 1/2"	104.78	111.13	209.55
7703304 04030	4"×3"	104.78	111.13	209.55
7703304 06030	6"×3"	142.88	136.53	285.75
7703304 06040	6"×4"	142.88	146.05	285.75

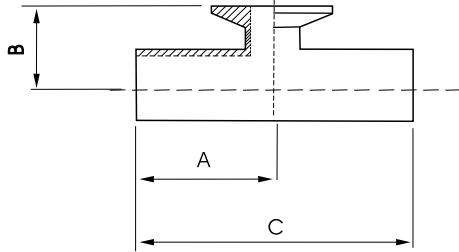


## 支口端快装短三通 SHORT OUTLET TEE

NO.	SIZE	A	B	C
7703201 0050	1/2"	47.63	95.25	25.40
7703201 0075	3/4"	50.80	101.60	28.58
7703201 0100	1"	53.98	107.95	26.90
7703201 0150	1 1/2"	60.33	120.65	34.93
7703201 0200	2"	73.03	146.05	41.28
7703201 0250	2 1/2"	79.38	158.75	47.95
7703201 0300	3"	85.73	171.45	54.10
7703201 0400	4"	104.78	209.55	70.50



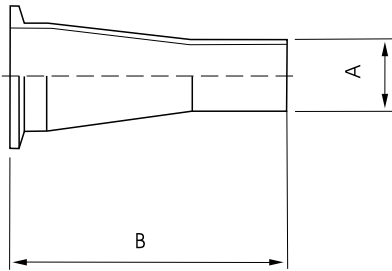
## 支口端快装异径短三通 SHORT OUTLET REDUCING TEE



NO.	SIZE	A	B	C
7703201 07550	3/4"×1/2"	50.80	25.40	101.60
7703201 01050	1"×1/2"	53.98	28.58	107.95
7703201 01075	1"×3/4"	53.98	28.58	107.95
7703201 01550	1 1/2"×1/2"	60.33	34.93	120.65
7703201 01575	1 1/2"×3/4"	60.33	34.93	120.65
7703201 01510	1 1/2"×1"	60.33	34.93	120.65
7703201 02050	2"×1/2"	73.03	41.28	146.05
7703201 02075	2"×3/4"	73.03	41.28	146.05
7703201 02010	2"×1"	73.03	41.28	146.05
7703201 02015	2"×1 1/2"	73.03	41.28	146.05
7703201 02550	2 1/2"×1/2"	79.38	47.63	158.75
7703201 02575	2 1/2"×3/4"	79.38	47.63	158.75
7703201 02510	2 1/2"×1"	79.38	47.63	158.75
7703201 03015	2 1/2"×1 1/2"	79.38	47.63	158.75
7703201 03020	2 1/2"×2"	79.38	47.63	158.75
7703201 03050	3"×1/2"	85.73	54.00	171.45
7703201 03075	3"×3/4"	85.73	54.00	171.45
7703201 04010	3"×1"	85.73	54.00	171.45
7703201 04015	3"×1 1/2"	85.73	54.00	171.45
7703201 04020	3"×2"	85.73	54.00	171.45
7703201 04025	3"×2 1/2"	85.73	54.00	171.45
7703201 04050	4"×1/2"	104.78	66.68	209.55
7703201 04075	4"×3/4"	104.78	66.68	209.55
7703201 06010	4"×1"	104.78	66.68	209.55
7703201 06015	4"×1 1/2"	104.78	66.68	209.55
7703201 06020	4"×2"	104.78	66.68	209.55
7703201 06025	4"×2 1/2"	104.78	66.68	209.55
7703201 06030	4"×3"	104.78	66.68	209.55
7703201 06030	6"×3"	142.88	92.08	285.75
7703201 06040	6"×4"	142.88	95.25	285.75

## 同心大小头 (一边快装 一边焊接)

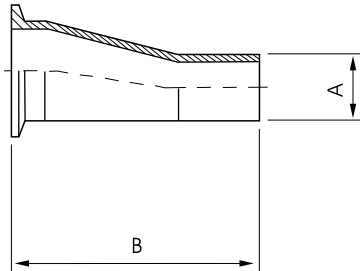
### CONCENTRIC REDUCER (clamp end-weld end)



NO.	SIZE	A	B
7707201 07550	3/4"×1/2"	12.7	66.68
7707201 01050	1"×1/2"	12.7	76.20
7707201 01075	1"×3/4"	19.0	66.68
7707201 01575	1 1/2"×3/4"	19.0	88.90
7707201 01510	1 1/2"×1"	25.4	76.20
7707201 02010	2"×1"	25.4	98.43
7707201 02015	2"×1 1/2"	38.1	76.20
7707201 02515	2 1/2"×1 1/2"	38.1	98.43
7707201 02020	2 1/2"×2"	50.8	76.20
7707201 03015	3"×1 1/2"	38.1	120.65
7707201 03020	3"×2"	50.8	98.43
7707201 03025	3"×2 1/2"	63.5	79.38
7707201 04020	4"×2"	50.8	146.05
7707201 04025	4"×2 1/2"	63.5	123.83
7707201 04030	4"×3"	76.2	114.30
7707201 06030	6"×3"	76.2	203.20
7707201 06040	6"×4"	101.6	161.93

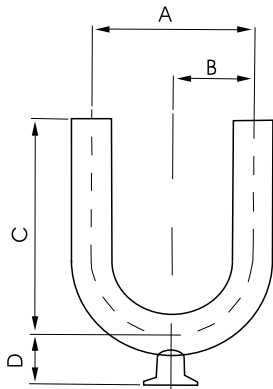
## 偏心大小头 (快装/焊接)

### ECCENTRIC REDUCER (clamp end-weld end)



NO.	SIZE	A	B
7707301 07550	3/4"×1/2"	12.7	66.68
7707301 01050	1"×1/2"	12.7	76.20
7707301 01075	1"×3/4"	19.0	66.68
7707301 01575	1 1/2"×3/4"	19.0	88.90
7707301 01510	1 1/2"×1"	25.4	76.20
7707301 02010	2"×1"	25.4	98.43
7707301 02015	2"×1 1/2"	38.1	76.20
7707301 02515	2 1/2"×1 1/2"	38.1	98.43
7707301 02520	2 1/2"×2"	50.8	76.20
7707301 03015	3"×1 1/2"	38.1	120.65
7707301 03020	3"×2"	50.8	98.43
7707301 03025	3"×2 1/2"	63.5	79.38
7707301 04020	4"×2"	50.8	146.05
7707301 04025	4"×2 1/2"	63.5	123.83
7707301 04030	4"×3"	76.2	114.30
7707301 06030	6"×3"	76.2	203.20
7707301 06040	6"×4"	101.6	161.93

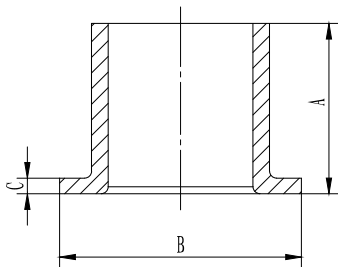
## U型异径快装三通



NO.	SIZE	A	B	C	D
7706304 07550	3/4"×1/2"	114.30	57.15	76.20	25.40
7706304 01050	1"×1/2"	76.20	38.10	76.20	28.58
7706304 01075	1"×3/4"	76.20	38.10	76.20	28.58
7706304 01550	1 1/2"×1/2"	114.30	57.15	114.30	34.93
7706304 01575	1 1/2"×3/4"	114.30	57.15	114.30	34.93
7706304 01510	1 1/2"×1"	114.30	57.15	114.30	34.93
7706304 01515	1 1/2"×1 1/2"	114.30	57.15	114.30	34.93
7706304 02050	2"×1/2"	152.40	76.20	127.00	41.28
7706304 02075	2"×3/4"	152.40	76.20	127.00	41.28
7706304 02010	2"×1"	152.40	76.20	127.00	41.28
7706304 02015	2"×1 1/2"	152.40	76.20	127.00	41.28
7706304 02550	2 1/2"×1/2"	190.50	95.25	146.05	47.63
7706304 02575	2 1/2"×3/4"	190.50	95.25	146.05	47.63
7706304 02510	2 1/2"×1"	190.50	95.25	146.05	47.63
7706304 02515	2 1/2"×1 1/2"	190.50	95.25	146.05	47.63
7706304 02520	2 1/2"×2"	190.50	95.25	146.05	47.63
7706304 03050	3"×1/2"	228.60	114.30	165.10	53.98
7706304 03075	3"×3/4"	228.60	114.30	165.10	53.98
7706304 03010	3"×1"	228.60	114.30	165.10	53.98
7706304 03015	3"×1 1/2"	228.60	114.30	165.10	53.98
7706304 03020	3"×2"	228.60	114.30	165.10	53.98
7706304 03025	3"×2 1/2"	228.60	114.30	165.10	53.98
7706304 04050	4"×1/2"	304.80	152.40	215.90	66.68
7706304 04075	4"×3/4"	304.80	152.40	215.90	66.68
7706304 04010	4"×1"	304.80	152.40	215.90	66.68
7706304 04015	4"×1 1/2"	304.80	152.40	215.90	66.68
7706304 04020	4"×2"	304.80	152.40	215.90	66.68
7706304 04025	4"×2 1/2"	304.80	152.40	215.90	66.68
7706304 04030	4"×3"	304.80	152.40	215.90	66.68

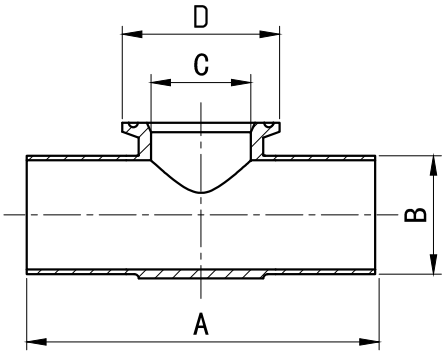
## 翻边短接

### LAB JOINT STUB END



NO.	SIZE	A	B	C
7714065 0050	1/2"	50.80	42.96	2.5
7714065 0075	3/4"	50.80	42.96	2.5
7714065 0100	1"	50.80	50.80	3.3
7714065 0150	1 1/2"	50.80	73.03	3.3
7714065 0200	2"	63.50	92.08	3.3
7714065 0250	2 1/2"	63.50	104.78	3.3
7714065 0300	3"	63.50	127.00	4.2
7714065 0400	4"	63.50	157.16	4.2
7714065 0600	6"	76.20	215.90	5.5

## 仪表三通



NO.	SIZE	A	B	C	D
7703701 0050	1/2"	112	12.7	32.1	50.5
7703701 0075	3/4"	112	19.05	32.1	50.5
7703701 0100	1"	112	25.4	32.1	50.5
7703701 0150	1-1/2"	112	38.1	32.1	50.5
7703701 0200	2"	112	50.8	32.1	50.5